



Motor Starters

Motor Starters

Non-Reversing, Reversing Starters (NEMA Type)



TE1D●



TE2D●



TA9●

3 Pole Enclosed, Type 1, Non-Reversing Starters, Steel Enclosure

Maximum HP Ratings						Catalog Number
1-Phase		3-Phase				
120V	240V	208V	240V	480V	600V	
0.5	1	2	2	5	7.5	TE1D0936■
1	1	3	3	7.5	10	TE1D1236■
1	3	5	5	10	15	TE1D1836■
1.5	3	5	7.5	15	20	TE1D2536■
2	5	7.5	10	20	25	TE1D3236■
3	5	10	10	30	30	TE1D4036■
3	7.5	10	15	30	40	TE1D5036■
5	10	15	20	40	50	TE1D6536■
5	10	20	20	50	60	TE1D8036■

3 Pole Enclosed, Type 1, Reversing Starters, Steel Enclosure

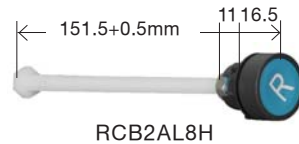
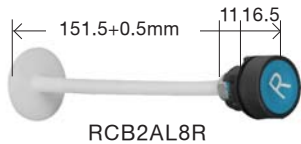
Maximum HP Ratings						Catalog Number
1-Phase		3-Phase				
120V	240V	208V	240V	480V	600V	
0.5	1	2	2	5	7.5	TE2D0936■
1	1	3	3	7.5	10	TE2D1236■
1	3	5	5	10	15	TE2D1836■
1.5	3	5	7.5	15	20	TE2D2536■
2	5	7.5	10	20	25	TE2D3236■
3	5	10	10	30	30	TE2D4036■
3	7.5	10	15	30	40	TE2D5036■
5	10	15	20	40	50	TE2D6536■
5	10	20	20	50	60	TE2D8036■

Push Buttons & Pilot Lights "Quick Kits"

Description	Catalog Number
ON / OFF Selector Switch	TA9C6
Hand-OFF-Auto Selector Switch	TA9C
Red or Green Pilot Light 120V	TA9P12
SMArt / Stop Push Button	TA9A
ON / OFF Selector Switch with Red or Green P / L	TA9C6P12
SMArt / Stop Push Button with Red Light or Green P / L	TA9AP12
Forward / Reverse / Stop Push Buttons	TA9A1
Hand / OFF / Auto Selector Switch with Red or Green P / L 120V	TA9CP12
SMArt / Stop Push Button with Red or Green Transformer P/L 120V	TA9AP5152
Transformer Red or Green Pilot Light 120V	TA9P5152
Hand / OFF / Auto Selector Switch with Red or Green Transformer P / L 120V	TA9CP5152

Reset Extended Push Button

Description	Reference
Reset Extended Push Button (Round Type)	RCB2AL8R
Reset Extended Push Button (Hex Type)	RCB2AL8H



* Overload Relay not included. Please select from page B-27

Motor Starters

Direct-On-Line Motor Starters (IEC)



BE1



LE1D

Direct-On-Line Motor Starters in Sheet Steel Enclosures

Max. Motor Rating (kW) 3 phase 50 Hz					Overload Relay Range (Amps)	Contactor Reference	Contactor AC3 duty Rating	Starter Catalogue Reference	Recommended Back-up HRC Fuse Rating	
208V	240V	415V	480V	660V					(aM)	(gI)
-	-	0.5	-	0.55	0.63~1.00	TC1D12	12A	BE1T1235■305	2	4
-	0.37	0.55	0.75	1.1	1.00~1.60	TC1D12	12A	BE1T1235■306	2	4
0.37	0.75	1.1	1.1	1.5	1.60~2.50	TC1D12	12A	BE1T1235■307	4	6
0.75	1.5	1.5	1.5	3	2.50~4.00	TC1D12	12A	BE1T1235■308	6	10
1.1	2.2	2.2	2.2	4	4.00~6.00	TC1D12	12A	BE1T1235■310	8	16
1.5	3	3.7	3.7	5.5	5.50~8.00	TC1D12	12A	BE1T1235■312	12	20
2.2	4	4	4	7.5	7.00~10.0	TC1D12	12A	BE1T1235■314	12	20
3	5.5	5.5	5.5	10	9.0~13.0	TC1D12	12A	BE1T1235■316	16	25
4	7.5	9	9	15	12.0~18.0	TC1D18	18A	BE1T1835■321	20	32
5.5	11	11	11	18.5	17.0~25.0	TC1D25	25A	BE1T2535■322	25	50
7.5	15	15	15	-	23.0~32.0	TC1D32	32A	BE1T3235■353	40	63
10	18.5	22	22	30	30.0~40.0	TC1D40	40A	BE1T4035■355	63	-
11	22	25	25	37	37.0~50.0	TC1D50	50A	BE1T5035■357	63	-
18.5	25	30	30	50	48.0~65.0	TC1D65	65A	BE1T6535■359	63	-
20	30	37	37	55	55.0~70.0	TC1D65	65A	BE1T6535■361	80	-
22	33	40	40	59	63.0~80.0	TC1D80	80A	BE1T8035■363	80	-

Direct-On-Line Motor Starters in Plastic Enclosures**

-	-	0.5	-	0.55	0.63~1.00	TC1D12	12A	LE1D123■305	2	4
-	0.37	0.55	0.75	1.1	1.00~1.60	TC1D12	12A	LE1D123■306	2	4
0.37	0.75	1.1	1.1	1.5	1.60~2.50	TC1D12	12A	LE1D123■307	4	6
0.75	1.5	1.5	1.5	3	2.50~4.00	TC1D12	12A	LE1D123■308	6	10
1.1	2.2	2.2	2.2	4	4.00~6.00	TC1D12	12A	LE1D123■310	8	16
1.5	3	3.7	3.7	5.5	5.50~8.00	TC1D12	12A	LE1D123■312	12	20
2.2	4	4	4	7.5	7.00~10.0	TC1D12	12A	LE1D123■314	12	20
3	5.5	5.5	5.5	10	9.0~13.0	TC1D12	12A	LE1D123■316	16	25
4	7.5	9	9	15	12.0~18.0	TC1D18	18A	LE1D183■321	20	32
5.5	11	11	11	18.5	17.0~25.0	TC1D25	25A	LE1D253■322	25	50

3 Pole Enclosed, Type 4, Non-Reversing Starters, Plastic Enclosure

Maximum HP Ratings							Catalog Number
1-Phase		3-Phase					
120V	240V	208V	240V	480V	600V		
1	1	3	3	7.5	10	BE1D123XX	
1	3	5	5	10	15	BE1D183XX	
1.5	3	5	7.5	15	20	BE1D253XX	
2	5	7.5	10	20	25	BE1D323XX	

* Overload Relay not included. Please select from page B-27

** Standard Fault Ratings U_L S_F

Replace ■ with voltage code from table - 2

Table-2 : ■ -AC Coil Voltages

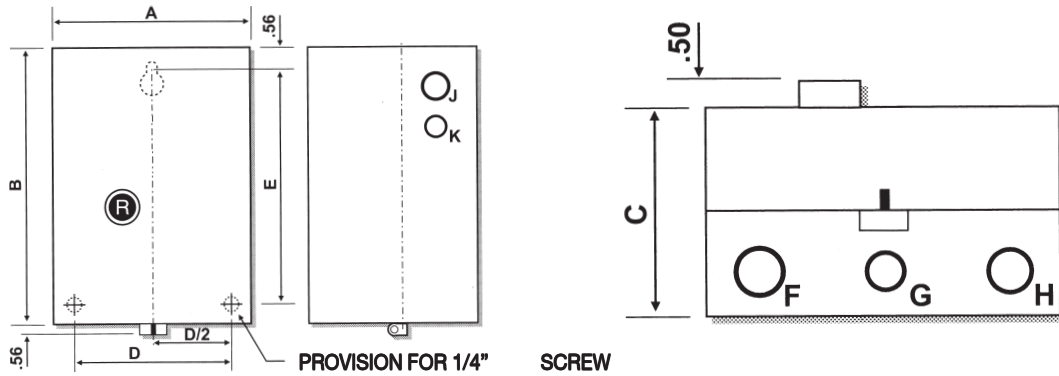
Volts AC	24	48	110	120	208	220	240	277	380	415	440	480	575	600
50 Hz	B5	E5	F5	-	-	M5	U5	-	Q5	N5	R5	-	-	-
60 Hz	B6	E6	F6	G6	L6	M6	U6	W6	Q6	-	R6	T6	S6	X6
50/60 Hz	B7	E7	F7	G7	-	M7	U7	-	Q7	N7	R7	-	-	-

E

Motor Starters

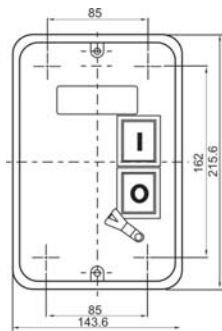
Dimensions

Non-Reversing/Reversing

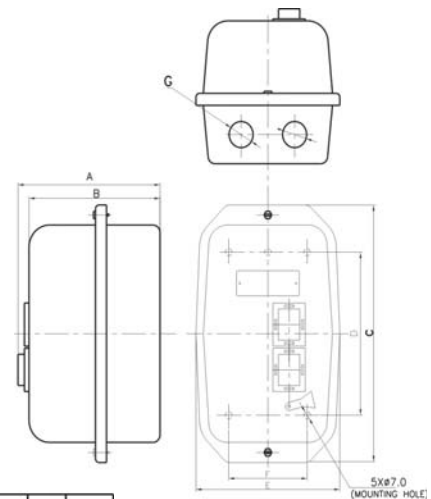
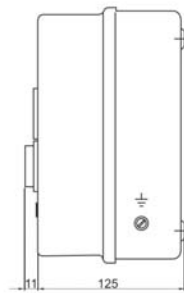


Type of Starter		Box Dimensions										
Non-Reversing	Reversing	A	B	C	D	E	F	G	H	J	K	
D09-25	-	6.77	10.04	6.25	5.38	9.00	1 - 1 ¹ / ₄	1 ¹ / ₄ - 3 ⁴ / ₈	-	1 - 1 ¹ / ₄	12 - 3 ⁴ / ₈	
D32-50	D09-32	8.66	10.83	7.21	7.25	9.75	1 ¹ / ₄ - 1 ¹ / ₂	12 - 3 ⁴ / ₈	1 - 1 ¹ / ₄	1 - 1 ¹ / ₄	12 - 3 ⁴ / ₈	
D65-80	D40-82	10.63	13.98	7.21	9.22	12.94	1 ¹ / ₄ - 1 ¹ / ₂	12 - 3 ⁴ / ₈	1 - 1 ¹ / ₄	1 - 1 ¹ / ₄	12 - 3 ⁴ / ₈	

Direct-ON-Line (Sheet Steel/Plastic)



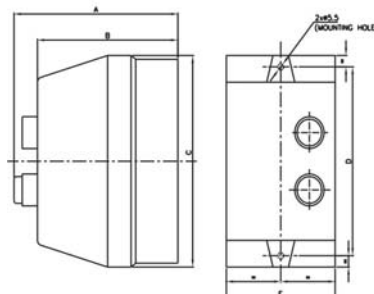
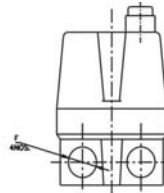
Size - B



Size - C

TABLE

ENCLO. SIZE	STARTER REFERENCE	HP RATING	A	B	C	D	E	F	G
'B' SIZE	BE1-T2535 - 3235	15.0-20.0	147	135	252	162	156	85	5x7.0
'C' SIZE	BE1-T4035 - 8035	30.0-60.0	172	160	299	165	201	105	4x7.0



TABLE

ENCLO. SIZE	STARTER REFERENCE	HP RATING	A	B	C	D	E	F
'A' SIZE	LE1-D1235	0.5-7.5	140	120	166	150	88	4x7.0
'B' SIZE	LE1-D1835 - 3235	12.0-20.0	155	135	185	165	101	4x7.0